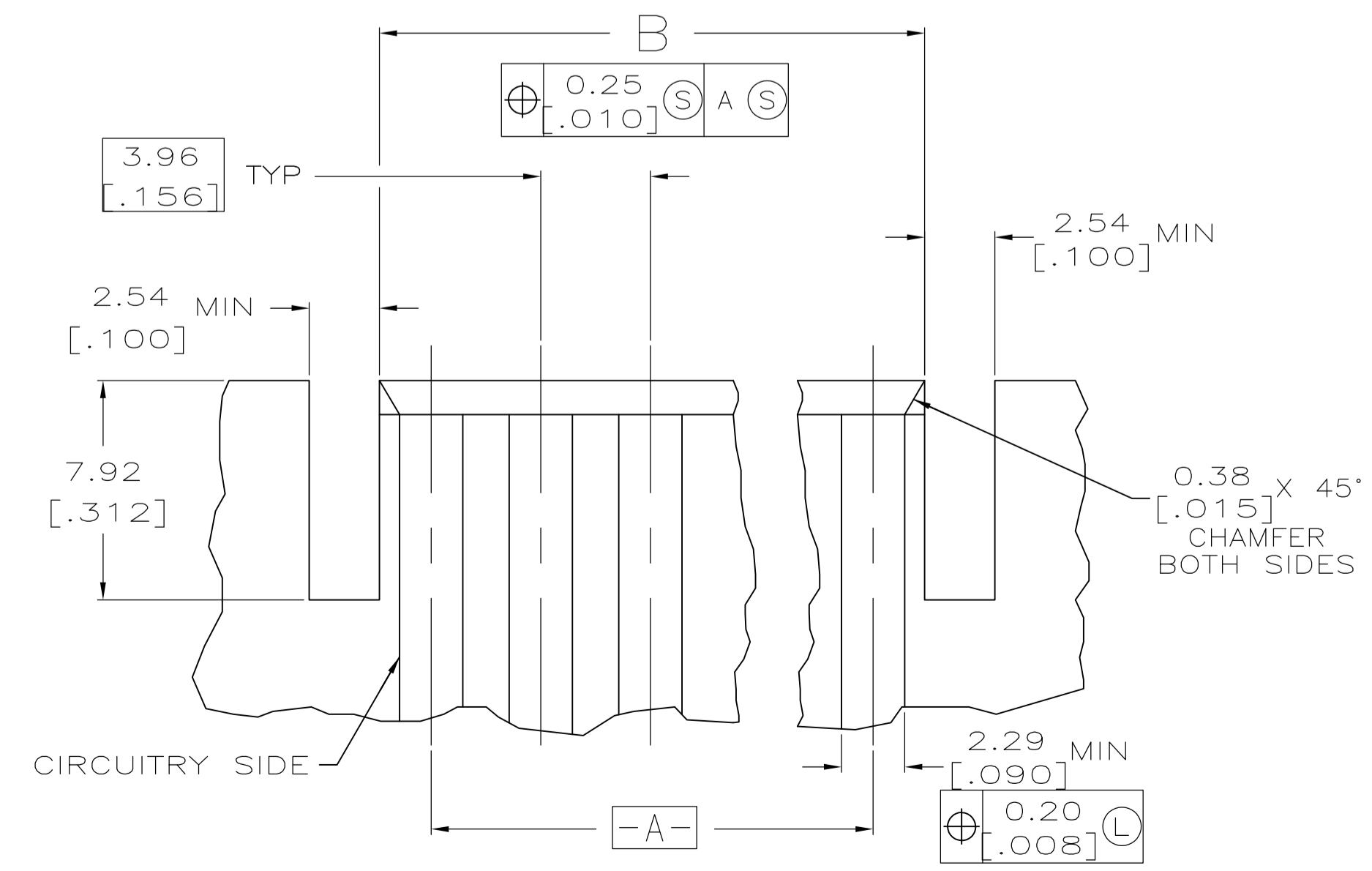
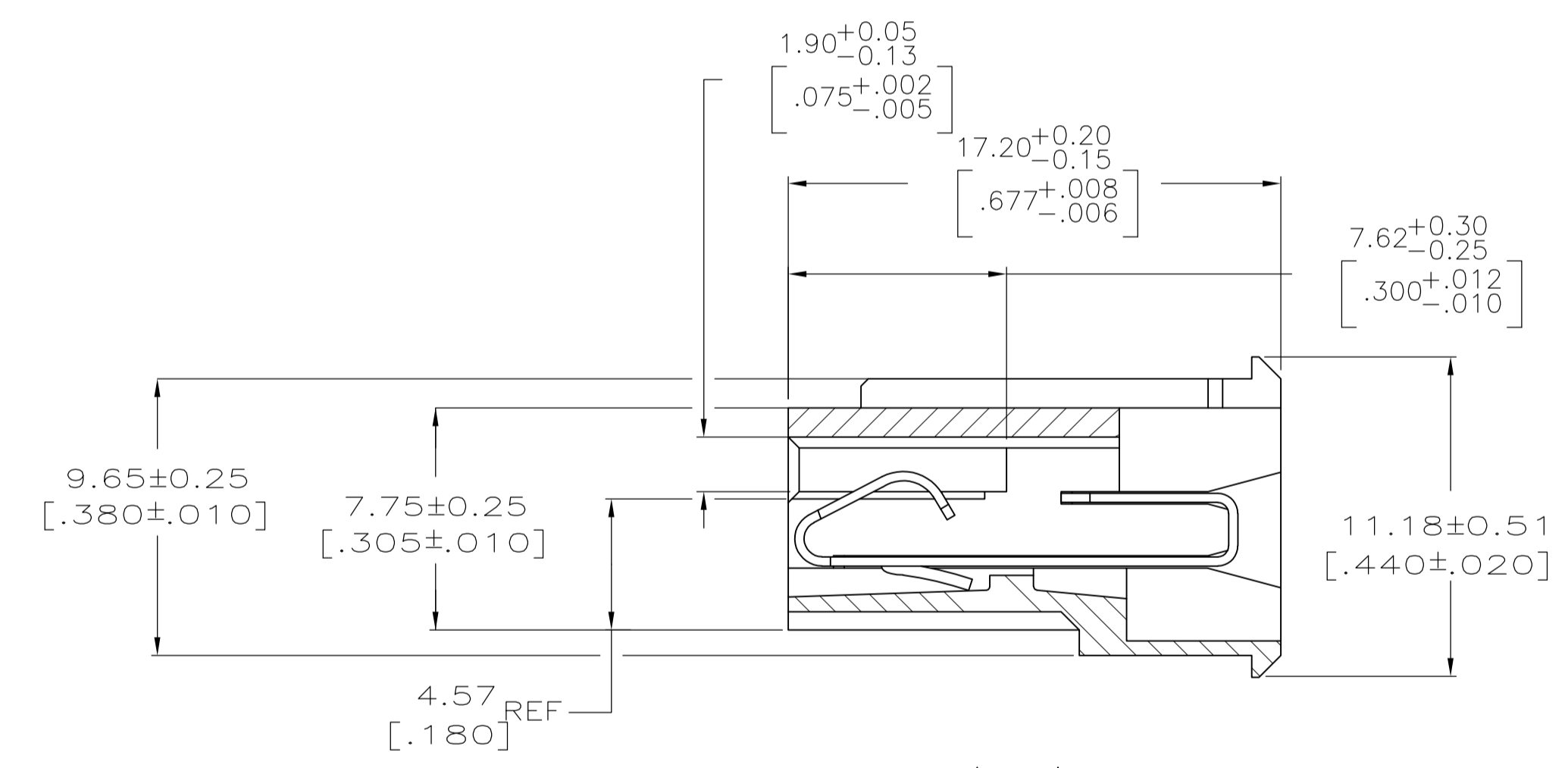
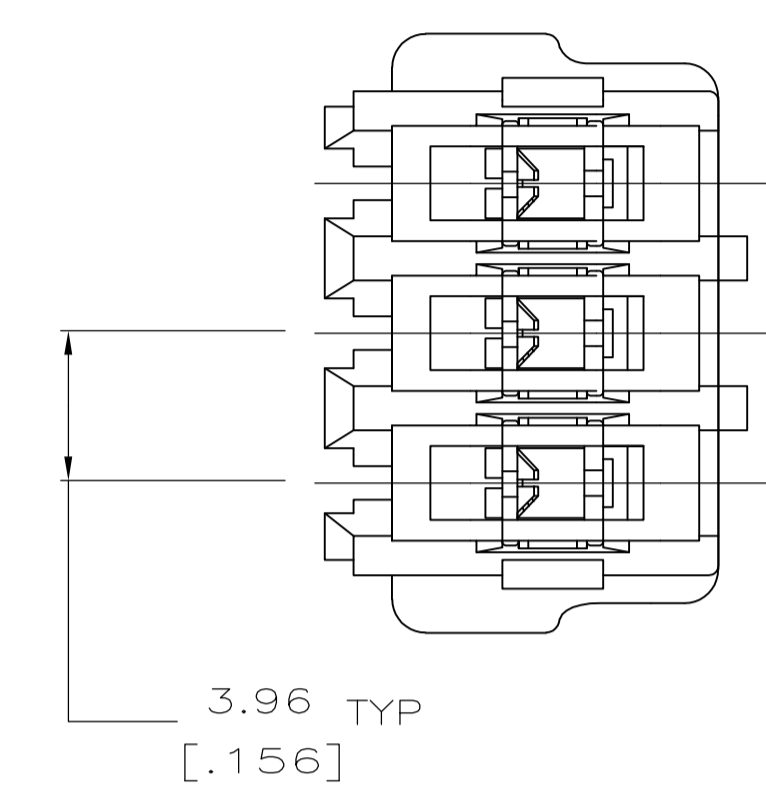
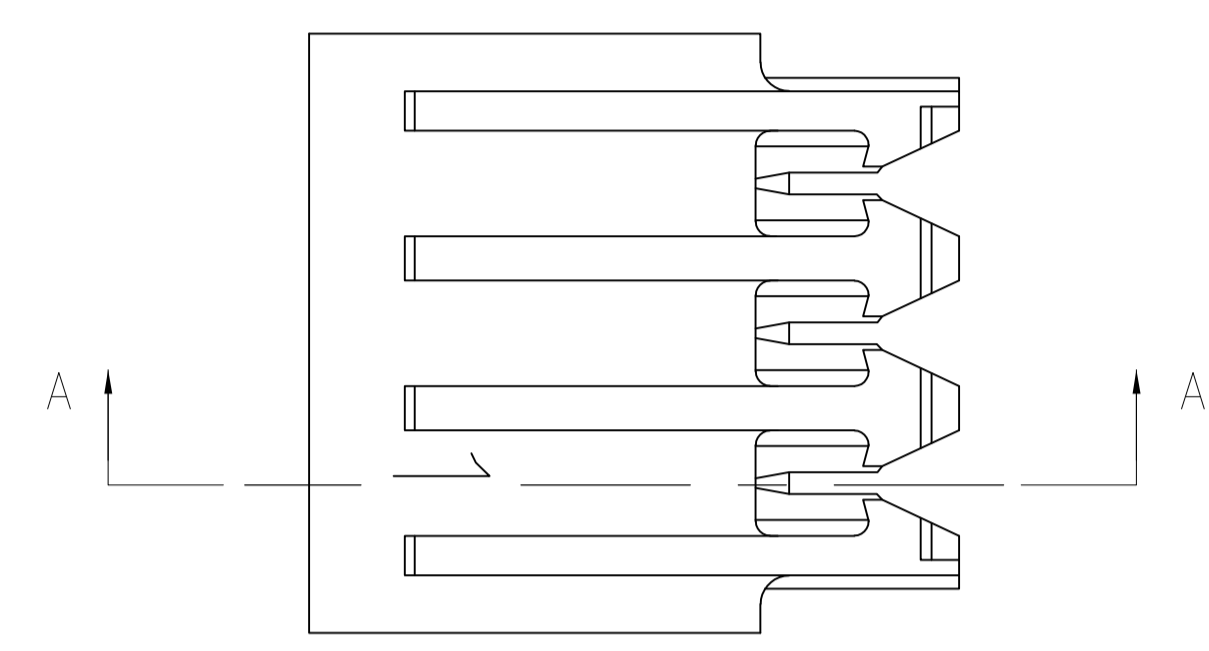
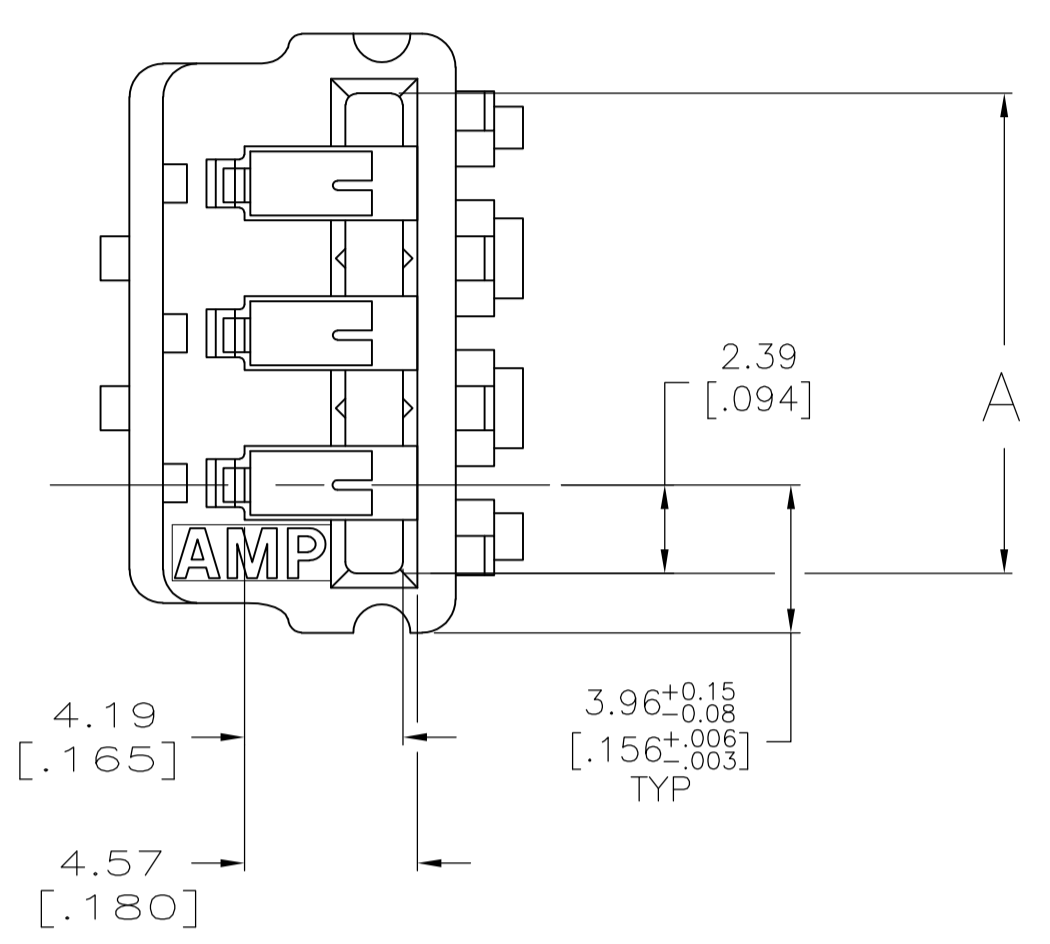


LOC		DIST		REVISIONS			
P	LTR	DESCRIPTION	DATE	DWN	APVD		
K		ECO-07-012898	27JUN07	KW	DB		

- MATERIAL:
CONNECTOR: POLYESTER UL94V-0 (WHITE).
CONTACTS: 0.30[.012] THK COPPER ALLOY.
 - CONTACT ACCEPT #24 AWG WIRE WITH 2.41[.095] MAXIMUM INSULATION DIAMETER.
 - CONNECTOR MATES WITH 1.57±0.20[.062±.008] THICK PC BOARD.
 - HOUSING FEATURES: FEED-THRU, STANDARD MOUTH WITHOUT MOUNTING EARS.
- ⚠ CONTACT FINISH: BRIGHT TIN-LEAD 0.00203[.000080] MIN THK.
- ⚠ CONTACT FINISH: MATTE WHISKER MITIGATED TIN 0.00203[.000080] MIN THICKNESS OVER NICKEL UNDERPLATE.



⚠	95.50 [3.760]	95.91 [3.776]	24	5-641286-4
	91.54 [3.604]	91.95 [3.620]	23	5-641286-3
	87.58 [3.448]	87.99 [3.464]	22	5-641286-2
	83.62 [3.292]	84.02 [3.308]	21	5-641286-1
	79.65 [3.136]	80.06 [3.152]	20	5-641286-0
	71.73 [2.824]	72.14 [2.840]	18	4-641286-8
	59.84 [2.356]	60.25 [2.372]	15	4-641286-5
	47.96 [1.888]	48.36 [1.904]	12	4-641286-2
	36.07 [1.420]	36.47 [1.436]	9	3-641286-9
	24.18 [.952]	24.59 [.968]	6	3-641286-6
⚠	12.29 [.484]	12.70 [.500]	3	3-641286-3
	95.50 [3.760]	95.91 [3.776]	24	2-641286-4
	91.54 [3.604]	91.95 [3.620]	23	2-641286-3
	87.58 [3.448]	87.99 [3.464]	22	2-641286-2
	83.62 [3.292]	84.02 [3.308]	21	2-641286-1
	79.65 [3.136]	80.06 [3.152]	20	2-641286-0
	71.73 [2.824]	72.14 [2.840]	18	1-641286-8
	59.84 [2.356]	60.25 [2.372]	15	1-641286-5
	47.96 [1.888]	48.36 [1.904]	12	1-641286-2
	36.07 [1.420]	36.47 [1.436]	9	641286-9
24.18 [.952]	24.59 [.968]	6	641286-6	
12.29 [.484]	12.70 [.500]	3	641286-3	

CONTACT FINISH	B	A	NO. OF CIRCUITS	PART NUMBER
THIS DRAWING IS A CONTROLLED DOCUMENT. DIN K SALMON 10-29-91 Tyco Electronics Tyco Electronics Corporation Harrisburg, Pa 17105-3608				
DIMENSIONS: mm [INCHES]		TOLERANCES UNLESS OTHERWISE SPECIFIED:		APVD R SWING 10-29-91
0 PLC ± -		1 PLC ± -		NAME
2 PLC ± 0.13 [0.005]		3 PLC ± -		PRODUCT SPEC
4 PLC ± -		ANGLES ± -		APPLICATION SPEC
MATERIAL SEE NOTE 1		FINISH SEE NOTE 1		SIZE CASE CODE DRAWING NO. MTA-156
CUSTOMER DRAWING		WEIGHT		RESTRICTED TO
SCALE 5:1		SHEET 1 OF 1		REV K

METRIC